

# KOMO<sup>®</sup>

## product certificate



Number	K21507/06	Replaces	K21507/05
Issued	2017-04-05	Dated	2012-01-20
Valid until	Indefinite	Page	1 of 2

Steel for the reinforcement of concrete B500A: welded fabric and bars

### Société Nouvelle SOTRALENTZ Construction

#### STATEMENT BY KIWA

This product certificate is issued on the basis of BRL 0501 "Steel for the reinforcement of concrete" (Betonstaal) dated 2010-09-01 by Kiwa, in accordance with the Kiwa Regulations for Product Certification.

Kiwa declares that legitimate confidence exists that the by the producer manufactured steel for the reinforcement of concrete comply with the technical specifications as laid down in this product certificate, provided that the steel for the reinforcement of concrete have been marked with the KOMO<sup>®</sup>-mark in the manner as indicated in this product certificate.

Luc Leroy  
Kiwa

The certificate is included in the summary on the website of KOMO: [www.komo.nl](http://www.komo.nl).  
Advice: consult [www.kiwa.nl](http://www.kiwa.nl) in order to ensure that this certificate is still valid.

**Holder of Certificate**  
Société Nouvelle SOTRALENTZ Construction  
3, rue de Bettwiller  
67320 Drulingen, Frankrijk  
Tel. +33 388 01 64 77  
[construction@sotralentz.com](mailto:construction@sotralentz.com)  
[www.sotralentz.com](http://www.sotralentz.com)

**Kiwa Nederland B.V.**  
Sir W. Churchill-laan 273  
Postbus 70  
2280 AB RIJSWIJK  
The Netherlands  
Tel. +31 88 998 44 00  
Fax +31 88 998 44 20  
[info@kiwa.nl](mailto:info@kiwa.nl)  
[www.kiwa.nl](http://www.kiwa.nl)



Evaluated is:  
quality system  
product  
Periodic inspection

## Steel for the reinforcement of concrete B500A: welded fabric and bars

### PRODUCT SPECIFICATION

#### General

Steel for the reinforcement of concrete B500A (welded fabric and bars) are in accordance with the requirements of chapter 4 of guideline BRL 0501 and with that of NEN 6008.

The product is meant to be used in constructions of concrete.

#### Further specification

Classification : B 500A  
 Production method : Cold profiled  
 Nominal size : 5- 5,5 – 6 – 6,5 – 7 – 7,5 – 8 – 8,5 – 9 – 9,5 – 10 –11 and 12 mm  
 Delivery condition : welded fabric and bars

#### Marking

The products are marked with a label with upon it at least on a clear and indelible way:

- the KOMO<sup>®</sup>-logo and the certificate number, figure 1;
- the classification B500A;
- the diameter (combination);
- the rolling mark;
- heatnumber/castnumber/productionnumber;
- name of the certificate holder
- BRL 0501.

Place of the label: at least one label per package of welded fabric or bars.

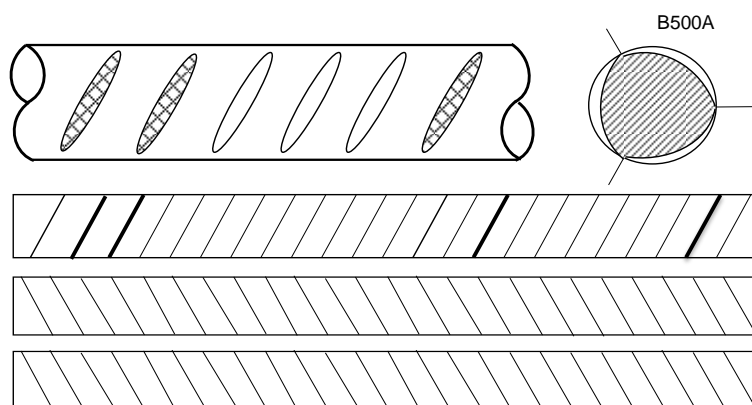
Steel for the reinforcement of concrete is marked on the following way:

On one rib row by thickened ribs with the code ( 3-76 ), figure 2.

Place of the mark: on a mutual distance of  $\pm 0,50$  meter. The position of the transverse ribs may also be in reverse.



Figure 1



(3-76) Figure 2

### RECOMMENDATIONS FOR USERS

Check at the time of delivery whether:

- the producer has delivered in conformity with the agreement;
- the mark and marking method are correct;
- the products do not show any visible defects due to transport.

If you should reject a product on the basis of the above, please contact:

- Société Nouvelle SOTRALENTZ Construction
- and if necessary:
- Kiwa Nederland B.V.

Consult the supplier's processing guidelines for the proper storage and transport methods, NEN 6722 and/or NEN-EN 13670.

### CONSTRUCTION PRODUCTS REGULATIONS

If a construction product is subject to a European harmonised technical specification, the statements in this KOMO product certificate must not be used as a replacement for the CE marking on such construction product and/or for the associated obligatory Declaration of Performance.

### LIST OF DOCUMENTS

NEN 6008 Betonstaal  
 NEN 6722 Voorschriften Beton – Uitvoering  
 NEN-EN 13670 Het vervaardigen van betonconstructies

\* For the actual version of the standards see the latest version of the BRL 0501 or latest amendment sheet.